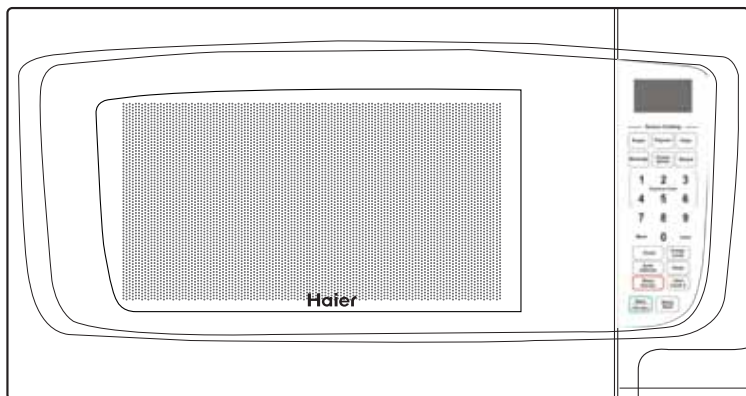


Haier

Microwave Oven Sensor Cooking

Horno Microondas Cocción con Sensor

User Manual
Manual del Usuario Modelo
HMC1640BEWW, HMC1640BEBB



*Design may vary by model number.
El diseño puede variar conforme al número de modelo*

SMARTER LIFE

BETTER PLANET

TABLE OF CONTENTS

SAFETY INFORMATION

| | |
|---|-----|
| Precautions to Avoid Possible Exposure to Excessive Microwave Energy..... | 2 |
| A Special Note on Arcing | 2 |
| Addendum | 2 |
| Important Safety Instructions | 3-5 |
| Grounding Instructions | 6 |
| Cookware and Utensil Guide | 7-8 |

SET UP & USE

| | |
|------------------------------|-------|
| Specifications..... | 9 |
| Installation Guide | 9 |
| Parts & Features..... | 10 |
| Control Panel..... | 11 |
| Operation Instructions | 12-14 |
| Cooking Techniques..... | 15 |

| | |
|-------------------------------|-----------|
| CLEANING AND CARE..... | 16 |
|-------------------------------|-----------|

TROUBLE SHOOTING & WARRANTY

| | |
|-----------------------------------|----|
| Before You Call For Service | 17 |
| Customer Service | 17 |
| Limited Warranty | 19 |

PRODUCT REGISTRATION

Thank you for purchasing our Haier product. This easy-to-use manual will guide you in getting the best use of your microwave oven.

Remember to record the model and serial numbers. They are on a label inside of the microwave oven.

Model number

Serial number

Date of purchase

Staple your receipt to your manual. You will need it to obtain warranty service.

PRECAUTIONS TO AVOID POSSIBLE EXPOSURE TO EXCESSIVE MICROWAVE ENERGY

- A. Do not attempt to operate this oven with the door open. This can result in harmful exposure to microwave energy. It is important not to disable or tamper with the safety interlocks.
- B. Do not place any object between the oven front face and the door or allow soil or cleaner residue to accumulate on sealing surfaces.
- C. Do not operate the oven if damaged. It is especially important that the oven door closes properly and that there is no damage to the:
 1. DOOR (bent)
 2. HINGES AND LATCHES (broken or loosened)
 3. DOOR SEALS AND SEALING SURFACES
- D. The oven should not be adjusted or repaired by anyone except properly qualified service personnel.

A SPECIAL NOTE ON ARCING

"Arcing" refers to the presence of sparks inside the microwave oven. It can be caused by:

- Metal or foil touching the inside walls of the oven.
- Foil not closely molded to food, where edges have been left sticking up.
- Small metal parts such as twist-ties, poultry pins, or gold-rimmed dishes.
- Recycled paper towels which may contain small amounts of metal.

CAUTION

IF YOU SEE SPARKS IN YOUR MICROWAVE OVEN, IMMEDIATELY PRESS STOP/START TO CEASE COOKING AND CORRECT THE PROBLEM.

ADDENDUM

If this product is not maintained in a good state of cleanliness, its surface could be degraded. This could affect the lifespan of the product and lead to a dangerous situation.

IMPORTANT SAFETY INSTRUCTIONS

⚠ WARNING

When using electrical appliances, basic safety precautions should be followed, including the following:

WARNING - To reduce the risk of burns, electric shock, fire, and injury to persons or exposure to excessive microwave energy:

1. Read all instructions before using the appliance.
2. Read carefully and follow the specific "PRECAUTIONS TO AVOID POSSIBLE EXPOSURE TO EXCESSIVE MICROWAVE ENERGY" on page 2.
3. This appliance must be grounded. Connect only to properly grounded outlet. See "GROUNDING INSTRUCTIONS" on page 6.
4. Install or position this appliance only in accordance with the provided installation instructions on page 9.
5. Some products such as whole eggs and sealed containers -for example, closed glass jars- can potentially explode and should not be heated in this oven.
6. Use this appliance only for the intended uses as described in this manual. This type of oven is specifically designed to heat, cook, or dry food. It is not designed for industrial or laboratory use. Do not use corrosive chemicals or vapors in this appliance.
7. As with any appliance, close supervision is necessary when used by children.
8. To reduce the risk of fire in the oven cavity:
 - Do not overcook food. Carefully attend the appliance when paper, plastic, or other combustible materials are placed inside the oven to facilitate cooking.
 - Remove wire twist-ties from paper or plastic bags before placing bag in oven.

IMPORTANT SAFETY INSTRUCTIONS

- If materials inside the oven ignite, keep oven door closed, turn oven off, and disconnect the power cord or shut off power at the fuse or circuit breaker panel.
 - Do not use the cavity for storage purpose. Do not leave paper products, cooking utensils or food inside the cavity when not in use.
9. Liquids, such as water, coffee, or tea can be overheated beyond the boiling point without appearing to be boiling due to surface tension of the liquid. Visible bubbling or boiling when the container is removed from the microwave oven is not always present. **THIS COULD RESULT IN VERY HOT LIQUIDS SUDDENLY BOILING OVER WHEN A SPOON OR OTHER UTENSIL IS INSERTED INTO THE LIQUID.**
 10. Do not heat oil or fat for deep-frying. It is difficult to control the temperature of oil in a microwave oven.
 11. Foods with heavy skins such as potatoes, whole squash, apples and chestnuts should be pierced with a fork or the tip of a sharp knife before cooking.
 12. The contents of feeding bottles and baby food jars should be stirred or shaken and the temperature should be checked before serving in order to avoid burns.
 13. Cooking utensils may become hot because of heat transferred from the heated food. Pot holders may be needed to handle the utensil.
 14. Do not cover or block any openings on the appliance.
 15. Do not store or use this appliance outdoors. Do not use this product near water, for example, near a kitchen sink, in a wet basement, near a swimming pool, or similar locations.
 16. Do not operate this appliance if the cord or plug is damaged, if it is not working properly, or if it has been damaged or dropped.

IMPORTANT SAFETY INSTRUCTIONS

17. Do not immerse cord or plug in water. Keep cord away from heated surfaces. Do not let cord hang over the edge of a table or counter.
18. Use only thermometers, specifically designed for use in microwave ovens.
19. Be certain the glass tray and roller rings are in place before operating the oven
20. This appliance should be serviced only by qualified service personnel. Contact nearest authorized service facility for examination, repair, or adjustment.
21. When cleaning sealing surfaces of the oven, such as the door jamb, use only mild, nonabrasive soaps, or mild detergents applied with a sponge or soft cloth.

SAVE THESE INSTRUCTIONS
HOUSEHOLD USE ONLY

GROUNDING INSTRUCTIONS

ELECTRICAL REQUIREMENTS

The electrical requirements are a 120 volt 60 Hz, AC only, 15 amp. It is recommended that a separate circuit serving only the oven be provided. The oven is equipped with a 3-wire cord having a 3-prong grounding plug. It must be plugged into a wall receptacle that is properly installed and grounded.

This appliance must be grounded. In the event of an electrical short circuit, grounding reduces risk of electric shock by providing an escape wire for the electric current. The cord provided with this appliance is equipped with a grounding wire and a grounding plug. The plug must be plugged into an outlet that is properly installed and grounded. Do not attempt to defeat this safety feature by modifying the plug in any way.

⚠ WARNING

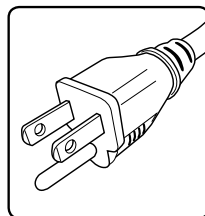
Improper use of the grounding plug can result in a risk of electric shock.

Consult a qualified electrician or serviceman if:

- 1) The grounding instructions are not completely understood.
- 2) You are unsure that the appliance is properly grounded.
- 3) You have any questions about the grounding or electrical instructions.

POWER SUPPLY CORD

1. A short power supply cord is provided to reduce the risk of becoming entangled in or tripping over a longer cord.
2. If the power supply cord is too short, do not use an extension cord. Have a qualified electrician or serviceman to install an outlet near the appliance.
3. If it is absolutely necessary to use longer cord sets or an extension cord, extreme care must be exercised.
 - a) Use only a grounding type 3-wire extension cord that has a 3-blade grounding plug and a 3-slot receptacle that will accept the plug on the appliance.
 - b) The marked electrical rating of the cord set or extension cord must equal to or greater than the electrical rating of the appliance. The longer cord should be arranged so that it will not drape over the counter top or table top where it can be pulled on by children or tripped over unintentionally.



NOTE: Neither Haier nor the dealer can accept any liability for damage to the oven or personal injury resulting from failure to observe the electrical connection procedures.

COOKWARE AND UTENSIL GUIDE

This section lists which utensils can be used in the microwave, which have limited use, and which should not be used in the microwave at all.

RECOMMENDED

- Microwave browning dish: Use to brown the exterior of small items such as steaks, chops, or pancakes. Follow the directions provided with your browning dish.
- Microwaveable plastic wrap: Use to retain steam. Leave a small opening for some steam to escape and avoid placing it directly on the food.
- Paper towels and napkins: These absorb excess moisture and prevent spattering. Use for short-term heating and covering. Do not use recycled paper towels, which may contain metal and could ignite.
- Heat-proof glass or glass-ceramic bowls and dishes: Use for heating or cooking.
- Paper plates and cups: Use for short-term heating at low temperatures. Do not use recycled paper, which may contain metal and could ignite.
- Wax paper: Use as a cover to prevent spattering.
- Thermometers: Use only those labeled “Microwave Safe” and follow all directions. Check the temperature of food in several places. Conventional thermometers may be used on microwaved food once the food has been removed from the oven.

LIMITED USE

- Aluminum foil: Smooth, narrow strips of foil may be used to shield delicate areas on food items like drumsticks and wings to prevent overcooking.

NOTE: Using too much foil can damage your oven, so be careful.

- Ceramic, porcelain, and stoneware: Use these only if they are labeled “Microwave Safe”. If they are not labeled, test them to make sure they can be used safely.
- Plastic: Use only if labeled “Microwave Safe”. Other plastics can melt.
- Straw, wicker, and wood: Use only for short-term heating, such as warming dinner rolls for a few seconds. Baskets and bowls may be flammable.

COOKWARE AND UTENSIL GUIDE CONT.

NOT RECOMMENDED

- Glass jars and bottles: Regular glass is too thin to be used in a microwave. It can shatter, causing damage and injury.
- Paper bags: These are a fire hazard, except for popcorn bags that are designed for microwave use.
- Styrofoam plates and cups: These can melt and leave a harmful chemical residue on food.
- Plastic storage and food containers: Containers meant for cold storage, such as margarine tubs, can melt in the microwave.
- Metal utensils: These can damage your microwave oven. Remove all metal from food and containers before cooking.

NOTE: To test if a dish is safe for microwaving, place the empty dish in the oven and microwave on HIGH for 30 seconds. A dish which becomes very hot should not be used.

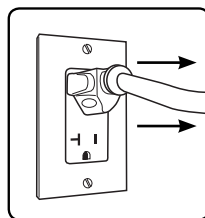
- Parchment paper: Use as a cover to prevent spattering or as a wrap for steaming.
- Aluminum tray: May cause arcing. Transfer food to a microwave-safe container.
- Take-out carton with metal handle: May cause arcing. Transfer food to a microwave-safe container.
- Metal or metal-trimmed utensils: Metal cookware, metal trim, and metallic glazes may cause arcing.
- Wood: Wood will dry out when used in the microwave oven and may split or crack.

SPECIFICATIONS

| | |
|-------------------------------------|----------------------------|
| Power Consumption: | 120V~60Hz, 1450W |
| MWO Power: | 1000W |
| Operation Frequency: | 2450MHz |
| Outside Dimensions (H x W x D): | 12.3" x 21.8" x 18.8" |
| Oven Cavity Dimensions (H x W x D): | 9-7/8" x 15-3/4" x 17" |
| Oven Capacity: | 1.6 cubic feet |
| Cooking Uniformity: | Turntable Diameter 12-3/4" |
| Net Weight: | Approx. 38.4 lbs. |

INSTALLATION GUIDE

1. Make sure that all the packing materials are removed from the inside of the door.
2. Check the oven for any damage, such as misaligned or bent door, damaged door seals and sealing surfaces, broken or loose door hinges and latches, and dents inside the cavity or on the door. If there is any damage, do not operate the oven. Contact qualified service personnel.
3. This microwave oven must be placed on a flat, stable surface capable of supporting the weight of the oven plus the heaviest food likely to be cooked in the oven.
4. Do not place the oven where heat, moisture, or high humidity are generated, or near combustible materials.
5. To function correctly, the oven must have sufficient airflow on all sides. Allow 8" of space above the oven, 4" at back, and 2" at both sides. Do not cover or block any openings on the appliance. Do not remove feet on which oven stands.
6. Do not operate the oven without glass tray, roller support, and shaft in their proper positions.
7. Make sure that the power supply cord is undamaged and does not run under the oven or over any hot or sharp surface.
8. The socket must be readily accessible so that the cord can be quickly reached and easily unplugged in an emergency.



RADIO OR TV INTERFERENCE

Should the microwave oven cause interference to your radio or TV, check that the microwave oven is on a different circuit, relocate the radio or TV as far away from the oven as possible or check position and signal of receiving antenna.

PARTS & FEATURES

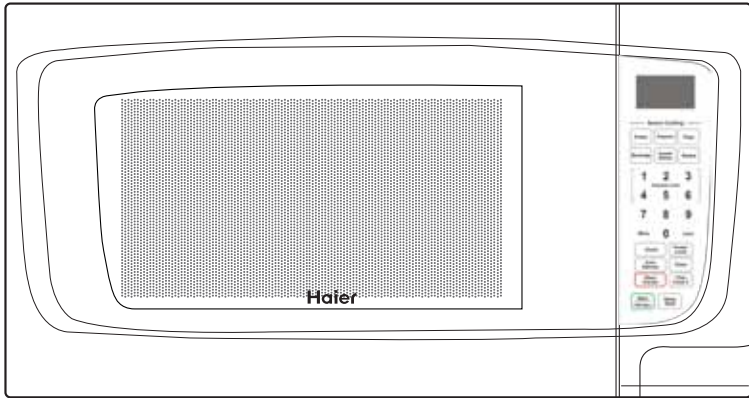
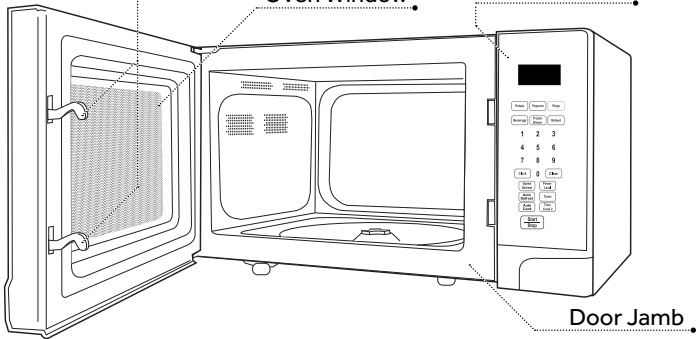


Diagram for instructional purposes only.
Design may vary by model number.

Door Safety Lock System

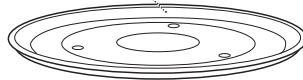
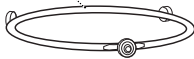
Oven Window

Control Panel

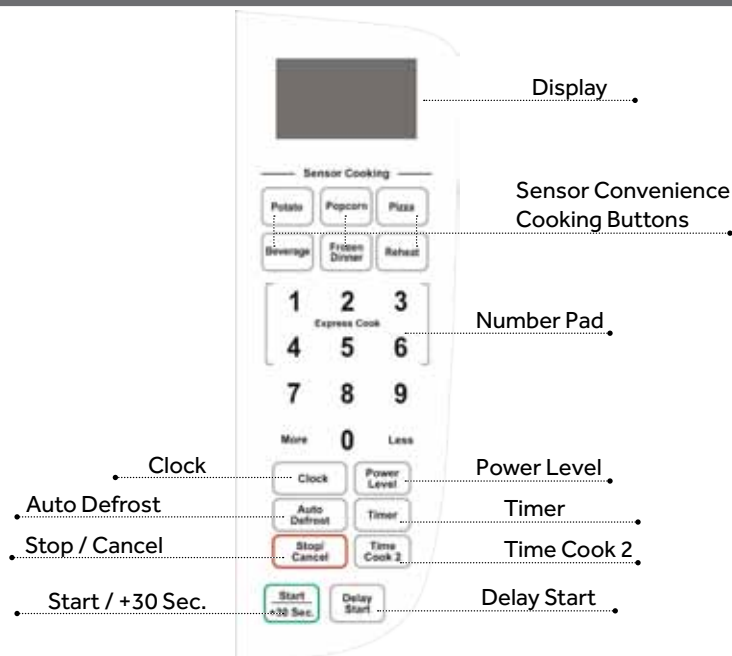


Turntable Roller

Glass Tray



CONTROL PANEL



DISPLAY

Shows cooking time, power, indicators and present time.

SENSOR CONVENIENCE COOKING BUTTONS

Instant settings automatically sets power and time based on moisture levels for optimum results to cook popular foods.

TIMER

Timer functions independently, even while a cooking program is in progress.

POWER LEVEL

Use to set power level. Also lets you check power level during cooking.

AUTO DEFROST

Programs defrosting based on the weight of the foods to be defrosted.

NUMBER PAD (0-9)

Use to manually set time or weight.

STOP/CANCEL

Clears all previous settings or sets the child lock.

START/+ 30 SEC.

Touch to start cooking or add 30 seconds to the cooking time.

CLOCK

Use to set the time of day or recall the time of day.

EXPRESS COOK

One touch cooking at 100% power.

TIME COOK 2

Use for multi-stage cooking. Enables cooking at multiple power and time settings automatically.

OPERATION INSTRUCTIONS

SIGNALS DURING OVEN SETTINGS

ONE BEEP: Oven accepts the entry.

TWO BEEP: Oven does not accept the entry, check and try again.

SETTING THE CLOCK

1. Touch CLOCK pad once for 12-hour time or twice for 24-hour (military) time.
2. Using the number pads enter the 4 digit correct time
 - a. example 5:23 in entered as 0,5,2,3
 - b. example 12:15 is entered as 1,2,1,5
3. Press the Clock pad to finish.

SETTING THE TIMER

The timer operates as a minute timer.

1. Press Timer pad.
2. Enter the amount of time you want to count down.
3. Press the Start pad. When the time is up, the timer will signal.

NOTE: The timer operates without microwave energy. The maximum time you can set is 99 minutes and 99 seconds.

SETTING CHILD LOCK

The safety lock prevents unsupervised operation by children. Set the function in standby mode.

To Set: Press and hold STOP/CANCEL for 3 seconds. Lock icon is indicated on the display and there will be a long beep.

To Cancel: Press and hold STOP/CANCEL for 3 seconds, there will be a long beep. Lock icon disappears from the display.

SETTING THE POWER LEVEL

The default power output setting is 100%. If you want to set a new power level touch the POWER LEVEL pad, repeatedly touch POWER LEVEL to scroll through the different cooking power levels.

| NUMBER PAD | COOKING POWER | NUMBER PAD | COOKING POWER |
|------------|---------------|------------|---------------|
| P100 | 100% | P-50 | 50% |
| P-90 | 90% | P-40 | 40% |
| P-80 | 80% | P-30 | 30% |
| P-70 | 70% | P-20 | 20% |
| P-60 | 60% | P-10 | 10% |

EXPRESS COOK

One touch cooking at 100% power is available by using the Express Cook feature. When the microwave is idle, select a cooking time by selecting the 1 through 6 number pad or the START/+30 Sec pad. You can add time, in 30 second increments, by touching the Start/+30 Sec pad.

NOTE: Each time you touch the START/+30 Sec pad, 30 seconds will be added to the time, but will not work with AUTO DEFROST.

QUICK 30 SECONDS

The Start/+30sec pad can be used to set the time for cooking or for adding extra cooking time while food is already cooking.

NOTE: The microwave's power level is automatically set to 100%

OPERATION INSTRUCTIONS CONT.

SENSOR COOK

Sensor Cooking is a technology designed to detect the increasing humidity released by food during the cooking process. As food cooks in a microwave oven, steam is produced. Once steam is detected by the sensor, the microwave will automatically calculate and adjust the remaining cooking time for the type and amount of food. Sensor Cooking simplifies microwave programming with excellent cooking results.

1. There are 6 Sensor Cooking Controls; POPCORN, POTATO, PIZZA, BEVERAGE, FROZEN DINNER, REHEAT
2. When steam is sensed, correspondingly cooking time appears on display and begins counting down.
3. You can press MORE or LESS to adjust the cooking time (the maximum cooking time you can set is 99 minutes and 59 seconds). Each touch changes the time 10 seconds.
4. If you open the oven door or press STOP/CANCEL during cooking, the system returns to standby mode immediately.
5. For Beverage, press BEVERAGE and then number pad 1 or 2 to select number of servings.

NOTE: For best results, do not use one of the sensor cook food categories twice in succession on the same food portion -- this may result in severely overcooked or burnt food. If there is a need to continue cooking, it is suggested to use the manual controls, instead of Sensor Cooking

- The oven door should not be opened while the sensor cook is on. Opening the door may cause inaccurate cooking results.
- Foods less than 4oz. (110g) should be cooked by power and time, not by sensor cook.
- All foods for sensor cooking should be at their normal storage temperature.
- Before using sensor cooking, make sure the inside cavity of the oven is dry.
- The oven will not cook food properly when the oven is still hot. Allow time for the oven to cool down before proceeding to cook.
- Cover food with lid, or with vented plastic wrap. Never use tightly sealed plastic containers, as they may prevent steam from escaping and this will cause food to overcook.

AUTO DEFROST

1. Touch AUTO DEFROST pad.
2. Enter food weight in ounces with the number pad.
3. Touch START/+30 SEC. pad to start cooking.

NOTE: Weight must be in ounces.

Ounce weights less than 10 must be preceded by a 0. If label gives weight in pounds only, change the fraction of a pound to ounces using the chart on the following page.

- During defrosting, you need to turn food over for uniform defrosting. After turning, touch START/+30 SEC. pad to resume defrosting.
- Minimum auto defrost weight is 4 oz., Maximum auto defrost weight is 63 oz.

OPERATION INSTRUCTIONS CONT.

- After total time elapsed, the system will sound several beeps with END in the display.

CONVERTING FRACTIONS OF A POUND TO OUNCES

| FRACTIONS OF A LB. | OUNCES | FRACTIONS OF A LB. | OUNCES |
|--------------------|--------|--------------------|-----------------|
| Less than .03 | 0 | .54 to .59 | 9 |
| .03 to .09 | 1 | .60 to .65 | 10 |
| .10 to .15 | 2 | .66 to .71 | 11 |
| .16 to .21 | 3 | .72 to .78 | 12 |
| .22 to .27 | 4 | .79 to .84 | 13 |
| .28 to .34 | 5 | .85 to .90 | 14 |
| .35 to .40 | 6 | .91 to .97 | 15 |
| .41 to .46 | 7 | Above .97 | Go to next even |
| .47 to .53 | 8 | | |

SETTING A COOKING PROGRAM

A. Single-stage cooking

1. Use the number pad to set a cooking time. You can set a cooking time from one second to 99 minutes and 99 seconds.
2. Set the Power Level.
3. Set the cooking time.
4. Touch START/+30 SEC. to start cooking.

B. Multiple-stage cooking

Some foods or recipes require different stages of cooking at different temperatures.

1. SET STAGE 1:
Follow steps 1 and 2 in "Single-stage Cooking". Do not touch START/+30 SEC..
2. SET STAGE 2:
Touch TIME COOK 2 then enter proper power level and then the cooking time. Most Multiple-Stage recipes use lower power for second stage.

3. Touch START/+30 SEC. to start cooking.

- After total time has elapsed, the system will beep with END in the display.

DELAY START

Set the oven to start at a preset time by using Delay Start.

STEPS:

1. Set a cooking program.
2. Touch DELAY START pad.
- 3 Use the number pad to enter time.
4. Press START/+ 30 SEC. pad.

NOTE: Express Cook, Sensor Cook and Auto Defrost cannot be preset. To cancel delay start function, press DELAY START, and then press STOP/CANCEL pad within 3 seconds.

COOKING TECHNIQUES

Your microwave can make cooking quicker and easier than conventional cooking. For best results, exercise the following techniques:

STIRRING

Stir foods such as casseroles and vegetables while cooking to distribute heat evenly. Food at the outside of the dish absorbs more energy and heats more quickly, so stir from the outside to the center. The oven will pause automatically when you open the door to stir your food.

ARRANGEMENT

Arrange unevenly shaped foods, such as chicken pieces or chops, with the thicker, meatier parts toward the outside of the turntable where they receive more microwave energy. To prevent overcooking, place delicate areas, such as asparagus tips, toward the center of the turntable.

SHIELDING

You may shield food with narrow strips of aluminum foil to prevent overcooking. Areas that need shielding include poultry wing-tips, the ends of poultry legs, and corners of square baking dishes. Use only small amounts of aluminum foil. Larger amounts can damage your oven. Apply foil strips as smoothly as the food item allows, avoiding creases wherever possible.

TURNING

Turn foods over midway through cooking to expose all parts to microwave energy. This is especially important with large items such as roasts.

STANDING

Foods cooked in the microwave build up internal heat and continue to cook for a few minutes after heating stops. Let foods stand to complete cooking, especially foods such as cakes and whole vegetables. Roasts need this time to complete cooking in the center without overcooking the outer areas. All liquids, such as soup or hot chocolate, should be shaken or stirred prior to cooking, midway through, and when cooking is complete. Let liquids stand a moment before serving. When heating baby food, stir well at removal and test the temperature before serving.

ADDING MOISTURE

Microwave energy is attracted to water molecules. Food that is uneven in moisture content should be covered or allowed to stand so that the heat disperses evenly. Add a small amount of water to dry food to help it cook.

CLEANING AND CARE

1. Keep the inside of the oven clean. When food splatters or spilled liquids adhere to oven walls, wipe with a damp cloth. Mild detergent may be used if the oven gets very dirty. Avoid the use of spray and other harsh cleaners as they may stain, streak or dull the door surface.
2. When cleaning surfaces such as the door jamb, use only mild, nonabrasive soaps, or mild detergents applied with a sponge or soft cloth.
3. Turn off the oven and unplug the power cord from the wall socket before cleaning.
4. The outside surfaces should be cleaned with a damp cloth. To prevent damage to the operating parts inside the oven, water should not be allowed to seep into the ventilation openings.
5. Wipe the window on both sides with a damp cloth to remove any spills or splatters.
6. Do not allow the control panel to get wet. Clean with a soft, damp cloth. When cleaning the control panel, leave oven door open to prevent oven from accidentally turning on.
7. If steam accumulates inside or around the outside of the oven door, wipe with a soft cloth. This may occur when the microwave oven is operated under high humidity conditions. This is normal in such conditions.
8. It may be necessary to remove the glass tray for cleaning. Wash the tray in warm sudsy water or in a dishwasher.
9. The roller ring and oven floor should be cleaned regularly. Simply wipe the bottom surface of the oven with mild detergent. The roller ring may be washed in mild sudsy water or dishwasher. When removing the roller ring from cavity floor for cleaning, be sure to replace in the proper position.
10. Remove odors from your oven by combining a cup of water with the juice and skin of one lemon in a deep bowl, microwave for 5 minutes. Wipe thoroughly and dry with a soft cloth.
11. When the oven light burns out, please consult a dealer to have it replaced.
12. If the power cord becomes soiled, unplug and wipe down with a damp cloth. Make sure to dry thoroughly before plugging back into outlet.
13. Please do not dispose of this appliance with regular garbage. It should be disposed of through an appropriate disposal facility provided by your municipality.

BEFORE YOU CALL FOR SERVICE

IF THE OVEN FAILS TO OPERATE:

- A) Check to make sure that the oven is plugged in securely. If it is not, remove the plug from the outlet, wait 10 seconds and plug it in again securely.
- B) Check for a blown circuit fuse or a tripped main circuit breaker. If these seem to be operating properly, test the outlet with another appliance.
- C) Check to make sure the control panel is programmed correctly and the timer is set.
- D) Check to ensure that the door is securely closed engaging the door safety lock system. Otherwise, the microwave energy will not flow into the oven.

IF NONE OF THE ABOVE SOLVES THE PROBLEM, CONTACT A QUALIFIED TECHNICIAN. DO NOT TRY TO ADJUST OR REPAIR THE OVEN YOURSELF.

CUSTOMER SERVICE

IMPORTANT

DO NOT RETURN THIS PRODUCT TO THE STORE

If you have a problem with this product, please contact the Haier Customer Satisfaction Center at 1-877-337-3639.

DATED PROOF OF PURCHASE, MODEL # AND SERIAL #
REQUIRED FOR WARRANTY SERVICE



TROUBLESHOOTING

Check your problem by using the chart below and try the solutions for each problem. If the microwave oven still does not work properly, contact Haier customer service center or the nearest authorized service center. Customers must never troubleshoot internal components. Microwaves hold dangerous voltage (5000V) even after power is removed. Only a certified technician should attempt Microwave repair.

| TROUBLE | POSSIBLE CAUSE | POSSIBLE REMEDY |
|-----------------------|---|--|
| Oven will not start | A. Electrical cord for oven is not plugged in. B. Door is open. C. Wrong operation is set. | A. Plug into the outlet. B. Close the door and try again. C. Check instructions. |
| Arcing or sparking | A. Materials to be avoided in microwave oven , such as metal, were used. B. The oven is operated when empty. C. Spilled food remains in the cavity. | A. Use microwave-safe cookware only. B. Do not operate with oven empty. C. Clean cavity with wet towel. |
| Unevenly cooked foods | A. Materials to be avoided in microwave oven were used. B. Food is not defrosted completely. C. Cooking time, power level is not suitable. D. Food is not turned or stirred. | A. Use microwave-safe cookware only. B. Completely defrost food. C. Use correct cooking time, power level. D. Turn or stir food. |
| Overcooked foods | Cooking time, power level is not suitable. Use correct cooking time, power level. | Use correct cooking time and power level. |
| Under cooked foods | A. Materials to be avoided in microwave oven were used. B. Food is not defrosted completely. C. Oven ventilation ports are restricted. D. Cooking time, power level is not suitable. | A. Use microwave-safe cookware only. B. Completely defrost food. C. Check to see that oven ventilation ports are not restricted. D. Use correct cooking time and power level. |
| Improper defrosting | A. Materials to be avoided in microwave oven were used. B. Cooking time, power level is not suitable. C. Food is not turned or stirred. | A. Use microwave-safe cookware only. B. Use correct cooking time and power level. C. Turn or stir food. |

LIMITED WARRANTY

What is covered and for how long?

This warranty covers all defects in workmanship or materials for a period of: 12 months for labor
12 months for parts (Functional Parts Only)
2 years Magnetron Tube for Microwave (part only)

The warranty commences on the date of item purchase. Customer shall provide Haier with proof of the date of purchase and the original receipt along with; brand, model and serial number for verification prior to any warranty service being provided. Carry-In Service is available for selected products at the discretion of Haier America.

EXCEPTIONS:

Commercial or Rental Use warranty
90 days for labor 90 days for parts No other warranty applies.

What is covered.

1. The mechanical and electrical parts of the appliance which serve the functional purpose of this appliance are covered for a period of 12 months or as stated above. This includes all parts except finish, trim and glass.
2. The limited warranty does not cover any credit or refund for any loss or injury caused by the product or defects to the product including but not limited to incidental or consequential damages.
3. If the magnetron tube fails (for Microwave) due to poor workmanship or material, the part will be replaced.

What will be done?

1. Any mechanical or electrical part that proves to be defective in normal usage during the specified warranty period will be repaired or replaced at Haier's discretion.

ALL WARRANTY SERVICE MUST BE PROVIDED BY ONLY OUR FACTORY SERVICE CENTERS, OR BY AN AUTHORIZED HAIER CUSTOMER TECHNICIAN.

If it is determined that repair is not appropriate or replacement parts are unavailable for repair, Haier will exchange the product with a refurbished or new product the same or similar to the original at its discretion.

2. There will be no charge to the purchaser for functional replacement parts and labor on any covered items during the initial 12-month period or as stated above.
3. THIS WARRANTY COVERS APPLIANCES WITHIN THE CONTINENTAL UNITED STATES, PUERTO RICO AND CANADA. IT DOES NOT COVER THE FOLLOWING:

Damages from improper installation.
Damages incurred during shipping.
Defects other than manufacturing. Damage from misuse, abuse, accident, alteration, lack of proper care and maintenance or incorrect current or voltage or acts of God. Damage from other than household use. Damage from service by other than an authorized dealer or service center. Decorative trims, glass or replaceable light bulbs. Transportation and shipping costs. Labor (after the initial 12 months). Credit or Refund for products over 30 days past date of purchase Food loss for food spoiled as a direct result of mechanical failure of the product or of any delay in providing service, repair, replacement. This limited warranty doesn't apply to refurbished product or unit purchased as/like new or second-hand. THIS LIMITED WARRANTY IS GIVEN IN LIEU OF ALL OTHER WARRANTIES, EXPRESSED OR INCLUDING THE WARRANTIES OF MERCHANTABILITY AND FITNESS FOR A PARTICULAR PURPOSE. The remedy provided in this warranty is exclusive and is granted in lieu of all other remedies. This warranty does not cover incidental or consequential damages, so the above limitations may not apply to you. Some states do not allow limitations on how long an implied warranty lasts, so the above limitations may not apply to you. This warranty gives you specific legal rights, and you may have other rights, which vary from state to state.

Haier America,
New York, NY 10018

ÍNDICE

INFORMACIÓN DE SEGURIDAD

| | |
|--|-----|
| Precauciones para evitar posible sobre exposición a energía de microondas... | 2 |
| Nota especial acerca del arco de voltaje | 2 |
| Apéndice..... | 2 |
| Instrucciones importantes de seguridad | 3-5 |
| Instrucciones de conexión a tierra..... | 6-7 |
| Guía para utensilios y trastos de cocina | 7-8 |

COLOCACIÓN Y USO

| | |
|---------------------------------------|-------|
| Especificaciones | 9 |
| Guía de instalación..... | 9 |
| Partes y funciones | 10 |
| Panel de control | 11 |
| Instrucciones de funcionamiento | 12-15 |
| Técnicas para cocinar..... | 16 |

| | |
|---------------------------------|----|
| LIMPIEZA Y CUIDADO | 17 |
|---------------------------------|----|

SOLUCIÓN DE PROBLEMAS Y GARANTÍA

| | |
|--|----|
| Antes de llamar a servicio técnico | 18 |
| Servicio al cliente | 18 |
| Garantía limitada..... | 20 |

REGISTRO DEL PRODUCTO

Gracias por adquirir nuestro producto Haier. Este manual de uso sencillo lo guiará para que aproveche al máximo su horno de microondas.

Recuerde registrar los números de modelo y de serie que se encuentran en una etiqueta en el interior del horno de microondas.

Número de modelo

Número de serie

Fecha de compra

Engrape el recibo al manual. Lo necesitará para recibir el servicio de garantía..

PRECAUCIONES PARA EVITAR POSIBLE SOBRE EXPOSICIÓN A LA ENERGÍA DEL MICROONDAS

- A. No intente operar este horno con la puerta abierta. Esto puede generar una exposición dañina a la energía del microondas. Es importante no inhabilitar o violar los seguros.
- B. No coloque ningún objeto entre el frente del horno y la puerta, ni permita que se acumule suciedad o residuos del limpiador en las superficies de sellado.
- C. No utilice el horno si está dañado. Es especialmente importante que la puerta del horno cierre bien y que no haya daños en:
 1. LA PUERTA (arqueada).
 2. LAS BISAGRAS Y SEGUROS (rotos o flojos).
 3. LOS SELLOS DE LA PUERTA Y LAS SUPERFICIES DE SELLADO.
- D. Únicamente personal de servicio con capacitación adecuada debe ajustar o reparar el horno.

NOTA ESPECIAL ACERCA DEL ARCO DE VOLTAJE

Un "arco de voltaje" se refiere a la presencia de chispas dentro del horno de microondas. Puede generarse por las siguientes causas:

- Alguna pieza metálica o papel aluminio está en contacto con las paredes interiores del horno.
- El papel aluminio no está cubriendo herméticamente los alimentos sino que hay bordes puntiagudos levantados.
- Hay partes pequeñas metálicas, como amarres, trinchas para pollo o platos con bordes dorados.
- Se están usando servilletas de papel reciclado que pueden contener pequeñas cantidades de metal.

⚠ PRECAUCIÓN

SI OBSERVA QUE SE GENERAN CHISPAS EN SU HORNO DE MICROONDAS, OPRIMA DE INMEDIATO EL BOTÓN DE PARO/INICIO PARA DETENER LA COCCIÓN Y CORREGIR EL PROBLEMA.

APÉNDICE

Si este producto no se mantiene en buenas condiciones de limpieza, su superficie podría degradarse. Esto podría afectar su vida útil y generar situaciones de peligro.

INSTRUCCIONES IMPORTANTES DE SEGURIDAD

⚠ ADVERTENCIA

Cuando use electrodomésticos, se deben seguir las precauciones básicas de seguridad, incluyendo las siguientes:

ADVERTENCIA - Para reducir el riesgo de quemaduras, descargas eléctricas, incendio y lesiones personales, o reducir la sobreexposición a la energía del microondas:

1. Lea todas las instrucciones antes de usar el aparato.
2. Lea cuidadosamente y cumpla con las precauciones específicas de la página 2: "PRECAUCIONES PARA EVITAR UNA POSIBLE SOBREEXPOSICIÓN A LA ENERGÍA DEL MICROONDAS".
3. Este electrodoméstico debe conectarse a tierra. Conéctelo únicamente a un tomacorriente con conexión a tierra adecuada. Véase "INSTRUCCIONES DE CONEXIÓN A TIERRA" en la página 6.
4. Instale o coloque este electrodoméstico únicamente conforme a las instrucciones de instalación descritas en la página 9.
5. Algunos productos, como los huevos enteros y los envases sellados (por ejemplo, frascos de vidrio cerrados), pueden explotar, por lo que no deben calentarse en este horno.
6. Utilice este aparato solamente para lo que fue diseñado, según se describe en este manual. Este tipo de horno está diseñado específicamente para calentar, cocinar o deshidratar comida. No está diseñado para uso industrial o de laboratorio. No use químicos corrosivos ni vapores con este aparato.
7. Al igual que con cualquier electrodoméstico, es necesario supervisar a los niños atentamente cuando lo usen.
8. Para reducir el riesgo de incendio dentro del horno:
 - No cocine los alimentos en exceso. Preste atención al electrodoméstico cuando coloque en su interior papel, plástico u otros materiales combustibles para facilitar la cocción.

INSTRUCCIONES IMPORTANTES DE SEGURIDAD

- Retire los amarres de alambre de las bolsas de papel o plástico antes de colocarlas en el horno.
 - Si se incendian materiales dentro del horno, mantenga cerrado el horno, apáguelo y desconecte el cable de suministro eléctrico o interrumpa el suministro eléctrico en el tablero de fusibles o interruptor de carga.
 - No utilice el interior del horno para guardar cosas. No deje productos de papel, artículos de cocina ni alimentos en el interior del horno cuando no esté en uso.
9. Los líquidos como agua, café o té pueden sobrecalentarse más allá del punto de ebullición sin que parezca que están hirviendo, debido a la tensión superficial del líquido. No siempre aparecen burbujas o signos visibles de ebullición cuando se saca el envase del horno de microondas. **LOS LÍQUIDOS MUY CALIENTES PODRÍAN COMENZAR A HERVIR REPENTINAMENTE CUANDO SE INTRODUCE EN EL LÍQUIDO UNA CUCHARA O ALGÚN OTRO UTENSILIO DE COCINA.**
10. No caliente aceite o grasas para freír. Es difícil controlar la temperatura del aceite dentro de un horno de microondas.
11. Los alimentos con cáscara gruesa, como es el caso de las papas, calabazas, manzanas y castañas deben perforarse con un tenedor o la punta de un cuchillo afilado, antes de cocinarse.
12. El contenido de los biberones y vasos para alimentos de bebé se deben mover o menear y revisar su temperatura antes de servirlos para evitar quemaduras.
13. Los utensilios de cocina pueden calentarse debido al calor transferido por los alimentos calientes. Se deben usar agarraollas para manejar los utensilios.
14. No cubra ni obstruya ninguna abertura del electrodoméstico.
15. No guarde ni use este aparato en exteriores. No use este producto cerca del agua, por ejemplo, cerca de un fregadero, en un sótano húmedo, cerca de una alberca o en lugares similares.

INSTRUCCIONES IMPORTANTES DE SEGURIDAD

16. No use este electrodoméstico si el cable o el enchufe está dañado, si no está funcionando adecuadamente o si se ha dañado o caído.
17. No sumerja en agua el cable o enchufe. Mantenga el cable alejado de superficies calientes. No permita que el cable cuelgue sobre el borde de una mesa o mostrador.
18. Use únicamente termómetros diseñados específicamente para hornos de microondas.
19. Asegúrese de que la base de vidrio y los anillos giratorios se encuentren en su sitio antes de utilizar el horno.
20. Únicamente personal de servicio calificado deben dar servicio a este electrodoméstico. Comuníquese con el centro de servicio autorizado más cercano en caso de requerir revisiones, reparaciones o ajustes.
21. Cuando limpie las superficies de sellado del horno, como por ejemplo el marco de la puerta, use únicamente jabón suave no abrasivo o detergentes suaves aplicados con una esponja o paño suave.

GUARDE ESTAS INSTRUCCIONES SÓLO PARA USO DOMÉSTICO

INSTRUCCIONES DE CONEXIÓN A TIERRA

REQUISITOS ELÉCTRICOS

Los requisitos eléctricos son únicamente corriente alterna de 120 voltios, 15 amperios y 60 Hertz. Se recomienda que se suministre un circuito por separado para servicio único del horno. El horno está equipado con un cable de 3 hilos que tiene enchufe de tres puntas con conexión a tierra. Se debe conectar en un tomacorriente de pared que esté instalado y conectado a tierra correctamente.

Este electrodoméstico debe conectarse a tierra. En caso de corto circuito eléctrico, la conexión a tierra reduce el riesgo de sufrir una descarga eléctrica al proporcionar un cable de escape para la corriente eléctrica. El cable que se entrega con este electrodoméstico está equipado con un cable, enchufe y alambre de conexión a tierra. El enchufe se debe conectar en un tomacorriente que esté instalado y conectado a tierra correctamente. No intente inutilizar de ninguna manera esta característica de seguridad, modificando el enchufe de alguna forma.

⚠ ADVERTENCIA

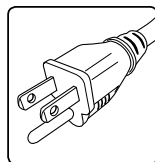
El uso inadecuado del enchufe de conexión a tierra puede provocar riesgo de descarga eléctrica.

Consulte a un técnico o electricista calificado en los siguientes casos:

- 1) No entiende por completo las instrucciones para la conexión a tierra.
- 2) No está seguro de que el electrodoméstico se encuentre debidamente conectado a tierra.
- 3) Tiene dudas acerca de las instrucciones de conexión eléctrica o a tierra.

CABLE DE SUMINISTRO ELÉCTRICO

1. El cable de suministro eléctrico que se incluye es corto para reducir el riesgo de enredarse o tropezarse con uno más largo.
 2. Si el cable de suministro eléctrico es muy corto, no use una extensión eléctrica. Pida a un técnico o electricista calificado que instale una toma corriente cerca del electrodoméstico.
 3. Si es absolutamente necesario el uso de cables largos o de una extensión, debe extremar precauciones.
- a) Use únicamente un cable de extensión de tres hilos con conexión a tierra que tenga un enchufe de tres clavijas con conexión a tierra y un tomacorriente de tres ranuras que acepte la clavija del electrodoméstico.



INSTRUCCIONES DE CONEXIÓN A TIERRA

- b) El valor eléctrico nominal marcado en el cable o la extensión debe ser igual o mayor al valor nominal eléctrico del electrodoméstico. Los cables más largos deben acomodarse de modo que no queden tendidos sobre el mostrador o la mesa, donde los niños puedan jalarlos o puedan provocar tropiezos accidentalmente.

NOTA: Ni Haier ni el distribuidor aceptarán responsabilidad alguna por daños en el horno eléctrico o lesiones personales que sean resultado del incumplimiento de los procedimientos de conexión eléctrica.

GUÍA PARA EL USO DE UTENSILIOS Y TRASTOS DE COCINA

Esta sección enumera los utensilios que pueden utilizarse en el microondas, los que pueden usarse de modo limitado y los que no deben utilizarse nunca en el microondas.

RECOMENDADOS

- Platón dorador para microondas: Úselo para dorar el exterior de piezas pequeñas, como bisteces, chuletas o panques. Siga las instrucciones incluidas con su plato de asado.
- Envoltura plástica para microondas: Úsela para retener el vapor. Debe dejarse una abertura pequeña para que escape una parte del vapor y evitar colocarlo directamente sobre los alimentos.
- Toallas y servilletas de papel: Estas absorben el exceso de humedad y evitan salpicaduras. Úselas para cubrir y calentar por tiempos cortos. No deben usarse toallas de papel reciclado, pues podrían contener residuos de metal y encenderse.
- Platos y recipientes de cerámica vitrificada y de vidrio resistente al calor. Úselos para calentar o cocinar.
- Platos y vasos de cartón: Úselos para calentar por tiempos cortos a bajas temperaturas. No debe usarse papel reciclado, pues podría contener metal y encenderse.
- Papel encerado: Úselo para cubrir y evitar salpicaduras.
- Termómetros: Deben usarse únicamente los etiquetados como "seguros para microondas", además de seguir todas las instrucciones. Revise la temperatura de los alimentos en diferentes partes. Los termómetros convencionales pueden usarse en los alimentos únicamente cuando se hayan retirado del horno.

USO LIMITADO

- Papel aluminio: Se pueden usar tiras delgadas y lisas de papel para cubrir áreas delicadas de los alimentos, como por ejemplo muslos y alas de pollo, para evitar que se cocinen en exceso.

GUÍA PARA EL USO DE UTENSILIOS Y TRASTOS DE COCINA CONT.

NOTA: Tenga mucho cuidado, el uso excesivo del papel aluminio puede dañar el horno.

- Cerámica, porcelana y barro: Úselos únicamente si están etiquetados como "seguros para microondas". Si no tienen esta instrucción, pruébelos para asegurarse de que puedan utilizarse de manera segura.
- Plástico: Úselo únicamente si está etiquetado como "seguro para microondas". Otros tipos de plásticos pueden derretirse.
- Paja, mimbre y madera. Úselos solamente para calentar por tiempos cortos, por ejemplo para calentar roles por algunos segundos. Las canastitas y los cuencos pueden ser inflamables.

NO RECOMENDADOS

- Botellas y jarras de cristal: El cristal regular es muy delgado para usarse en un microondas. Puede estrellarse y provocar lesiones y daños.
- Bolsas de papel: Representan un riesgo de incendio, excepto en el caso de las bolas de palomitas, las cuales están diseñadas para usarse en microondas.
- Platos y vasos de espuma de estireno (unicel): Pueden derretirse y dejar residuos químicos dañinos en los alimentos.
- Contenedores de plástico para alimentos y para almacenamiento: Los contenedores normalmente están diseñados para almacenar los alimentos en frío, por ejemplo las mantequilleras, por lo que pueden derretirse en un microondas.
- Utensilios metálicos: Pueden dañar su horno de microondas. Retire todo lo que sea de metal de los alimentos y recipientes antes de cocinar.

NOTA: Para probar si es seguro usar un recipiente en el microondas, colóquelo vacío y caliente a ALTA potencia por 30 segundos. Si el plato queda muy caliente NO debe usarlo.

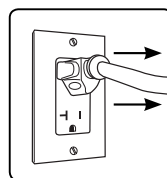
- Papel para horno: Úselo para cubrir y evitar salpicaduras o para envolver y cocinar al vapor.
- Charola de aluminio: Puede generar arcos de voltaje. Vacíe los alimentos en un recipiente apto para microondas.
- Recipientes de cartón con asa de metal. Puede generar arcos de voltaje. Vacíe los alimentos en un recipiente apto para microondas.
- Artículos de cocina de metal o con adornos metálicos Los recipientes de metal, los adornos o recubrimientos metálicos pueden provocar arcos de voltaje.
- Madera: La madera puede deshidratarse cuando se usa en el horno de microondas y podría quebrarse o agrietarse.

ESPECIFICACIONES

| | |
|---|---|
| Consumo eléctrico: | 120V-60Hz, 1450W |
| Potencia del horno de microondas: | 1000W |
| Frecuencia de operación: | 2450MHz |
| Dimensiones del interior del horno (largo, ancho y alto): | 9-7/8" x 15-3/4" x 17" pulgadas |
| Capacidad del horno: | Volumen de 1.6 pies cúbicos |
| Uniformidad de la cocción: | Base giratoria con un diámetro de 12-3/4 de pulgada (32 cm) |
| Peso neto: | Aproximadamente 38.4 libras (17 kg) |

GUÍA DE INSTALACIÓN

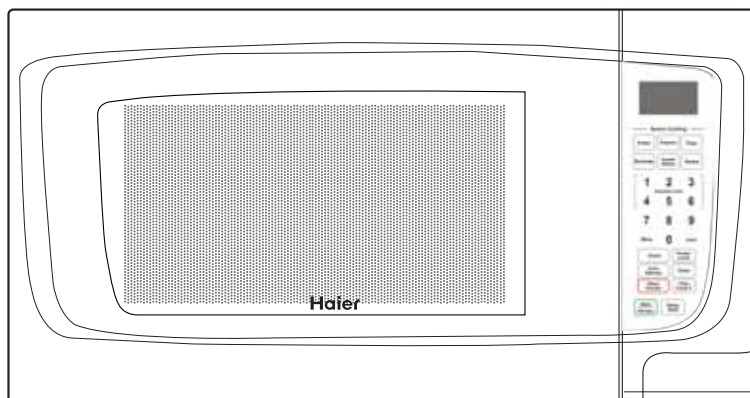
1. Asegúrese de que todos los materiales de empaque se hayan retirado del interior de la puerta.
2. Revise que no haya ningún daño en el horno, como por ejemplo un mal alineado de la puerta o que se encuentre doblada, daños en los sellos de la puerta y superficies de sellado, ganchos o bisagras rotos o sueltos en la puerta o desportillados dentro del horno o en la puerta. Si encuentra cualquier daño, no use el horno. Póngase en contacto con el personal de servicio calificado.
3. Este horno de microondas debe colocarse sobre una superficie estable, capaz de soportar el peso del horno más el de los alimentos más pesados que pueda contener y que se vayan a cocinar en él.
4. No coloque el horno en áreas donde se genere calor, agua o niveles altos de humedad, ni cerca de materiales combustibles.
5. Para un funcionamiento correcto, el horno debe contar con un flujo de aire suficiente por todos sus lados. Deje un espacio de 8 pulgadas (20.32 cm) por encima del horno, 4 pulgadas (10.16 cm) por la parte posterior y 2 pulgadas (5.08 cm) a ambos lados. No cubra ni obstruya ninguna abertura del electrodoméstico. No retire las patas sobre las cuales se sostiene el horno.
6. No opere el horno sin la base de vidrio, el soporte con rodillos y el eje en sus posiciones correctas.
7. Asegúrese de que el cable de suministro eléctrico no se encuentre dañado, que no se haya tendido debajo del horno, ni sobre ninguna superficie caliente o borde filoso.
8. El contacto debe estar al alcance de modo que pueda alcanzarse rápidamente y desenchufar fácilmente el horno en caso de emergencia.



INTERFERENCIA CON SEÑALES DE RADIO O TELEVISIÓN

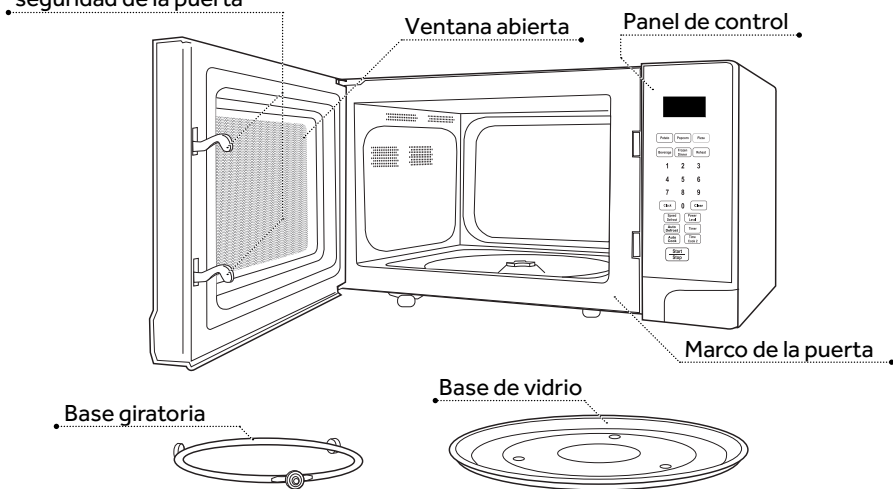
Los hornos de microondas pueden generar interferencia con las señales de radio y televisión, revise que el horno de microondas se encuentre en un circuito diferente, cambie de posición el radio o el televisor para alejarlos lo más posible del horno o revise la posición y señal de la antena receptora.

PARTES Y FUNCIONES

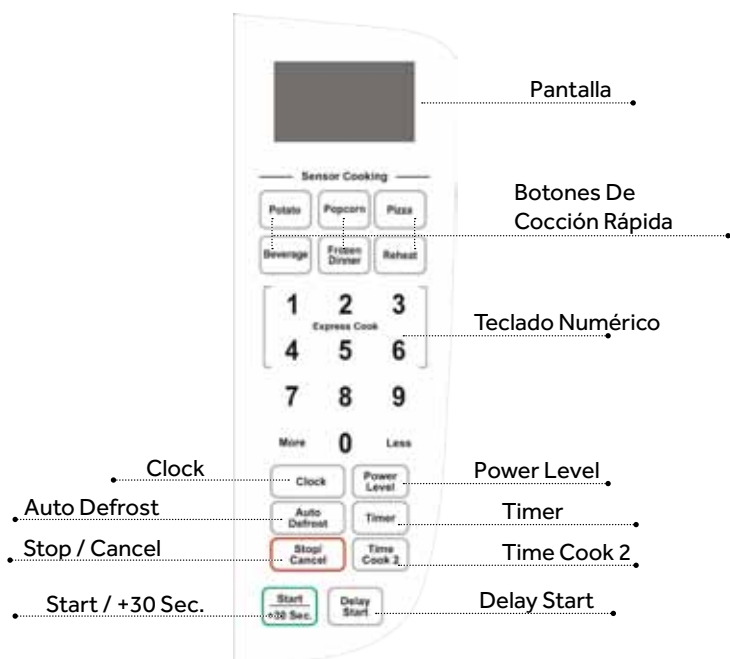


El diagrama es únicamente para fines ilustrativos.
El diseño puede variar conforme al número de modelo.

Sistema de cierre de seguridad de la puerta



PANEL DE CONTROL



INDICADOR

Se muestran el tiempo de cocción, la potencia, los indicadores y la hora actual.

BOTONES PARA COCCIÓN CONVENIENTE CON SENSOR

Las configuraciones instantáneas fijan automáticamente la potencia y el tiempo basándose en niveles de humedad para resultados óptimos.

TEMPORIZADOR

El temporizador funciona de manera independiente, incluso cuando esté en proceso un programa de cocción.

NIVEL DE POTENCIA

Utilícelo para fijar el nivel de potencia. También le permite verificar el nivel de potencia durante la cocción.

DESCONGELACIÓN AUTOMÁTICA

Descongelación programada basada en el peso de los alimentos que van a descongelarse.

BOTONES NUMÉRICOS (0-9)

Utilícelos para programar manualmente tiempo y peso.

DETENER/CANCELAR

Borra todas las configuraciones previas o configura el bloqueo infantil.

START/+ 30 SEC.

Presiónelo para comenzar la cocción o agregar 30 segundos al tiempo de cocción.

RELOJ

Utilícelo para configurar la hora del día o recordar la hora del día.

COCCIÓN RÁPIDA

Cocción con un toque con potencia del 100%.

TIEMPO COCCIÓN 2

Utilícelo para cocción en varias etapas. Permite la cocción con varias configuraciones de potencia y tiempo automáticamente.

INSTRUCCIONES DE FUNCIONAMIENTO

SEÑALES DURANTE LA CONFIGURACIÓN DEL HORNO UN PITIDO: El horno acepta lo que se introdujo. **DOS PITIDOS:** El horno no acepta lo que se introdujo, revise e intente nuevamente.

CONFIGURACIÓN DEL RELOJ

1. Presione el botón RELOJ (CLOCK) una vez para el sistema horario de 12 horas o dos veces para el de 24 horas (hora militar).
2. Utilizando los botones numéricos, ingrese la hora correcta de 4 dígitos.
 - a. ejemplo 5:23 es ingresado como 0,5,2,3
 - b. ejemplo 12:15 es ingresado como 1,2,1,5
3. Presione el botón Reloj para finalizar

CONFIGURACIÓN DEL TEMPORIZADOR

El temporizador funciona con minutos.

1. Presione el botón Timer (Temporizador).
2. Establezca el tiempo que desea seleccionar.
3. Presione Start (Comenzar). Cuando finaliza el tiempo, el temporizador emitirá una señal.

NOTA: El temporizador funciona sin energía de microondas. El tiempo máximo es de 99 minutos y 99 segundos.

CONFIGURACIÓN DEL BLOQUEO INFANTIL

El bloqueo de seguridad previene que los niños pongan en funcionamiento la unidad sin supervisión. Configure la función en el modo en espera.

Para configurarlo: Presione y mantenga presionado STOP/CANCEL (DETENER/

CANCELAR) durante 3 segundos. En el visor aparece el icono del candado y se oír un pitido prolongado.

Para cancelarlo: Presione y mantenga oprimido STOP/ CANCEL durante 3 segundos, se oír un pitido largo. El icono del candado desaparece del visor.

CONFIGURACIÓN DEL NIVEL DE POTENCIA

La configuración predeterminada de la potencia es de 100%. Si desea configurar otro nivel de potencia, presione la tecla POWER LEVEL (NIVEL DE POTENCIA). Presione repetidamente POWER LEVEL para deslizarse por los distintos niveles de potencia de cocción.

| TECLA NUMÉRICA | POTENCIA DE COCCIÓN | TECLA NUMÉRICA | POTENCIA DE COCCIÓN |
|----------------|---------------------|----------------|---------------------|
| P100 | 100% | P-50 | 50% |
| P-90 | 90% | P-40 | 40% |
| P-80 | 80% | P-30 | 30% |
| P-70 | 70% | P-20 | 20% |
| P-60 | 60% | P-10 | 10% |

COCCIÓN RÁPIDA

Puede cocinarse con un toque con 100% de potencia utilizando la función Cocción Rápida. Cuando el microondas está inactivo, elija el tiempo de cocción seleccionando las teclas numéricas del 1 al 6 o el botón START/+30 Sec (COMENZAR/+30 Seg.) Puede agregar tiempo, en incrementos de 30 segundos, presionando START/+30 Sec.

NOTA: Cada vez que presione el botón START/+30 Sec, se agregarán 30 segundos al tiempo. Esta función no está disponible en DESCONGELACIÓN AUTOMÁTICA.

INSTRUCCIONES DE FUNCIONAMIENTO CONT.

FUNCIÓN RÁPIDA DE 30 SEGUNDOS

El botón Start/+30sec (Comenzar/+ 30 seg.) puede usarse para configurar la hora de cocción o para agregar tiempo extra de cocción mientras los alimentos ya se están cocinando.

NOTA: El nivel de energía del microondas se configura automáticamente al 100%

COCCIÓN CON SENSOR

La cocción con sensor es una tecnología diseñada para detectar la humedad creciente liberada por los alimentos durante el proceso de cocción.

Cuando los alimentos se cocinan en un horno microondas, se produce vapor. Cuando el sensor detecta el vapor, el microondas calculará automáticamente el tiempo de cocción restante y lo regulará según el tipo y la cantidad de comida. La cocción con sensor simplifica la programación del microondas con resultados de cocción excelentes.

1. Hay 6 sensores de controles de cocción: PALOMITAS DE MAÍZ, PATATA, PIZZA, BEBIDAS, COMIDA CONGELADA, RECALENTAR
2. Cuando se detecta el vapor, el tiempo de cocción correspondiente aparece en la pantalla y comienza la cuenta regresiva.
3. Puede presionar MORE (MÁS) o LESS (MENOS) para ajustar el tiempo de cocción (el tiempo máximo de cocción que puede configurar es 99 minutos y 59 segundos). Cada toque cambia el tiempo 10 segundos.
4. Si abre la puerta del horno o presiona STOP/CANCEL (DETENER/

CANCELAR) durante la cocción, el sistema retorna al modo en espera inmediatamente.

5. Para bebidas, presione BEVERAGE (BEBIDA) y luego el botón 1 o 2 para seleccionar el número de bebidas.

NOTA: Para obtener mejores resultados, no utilice las categorías de cocción con sensor dos veces seguidas para la misma porción de comida, dado que la comida puede quedar extremadamente recocida o quemada. Si es necesario continuar la cocción, se sugiere usar los controles manuales, en lugar de la cocción con sensor.

- No debe abrirse la puerta del horno cuando está encendida la cocción con sensor. Si se abre la puerta, los resultados de la cocción pueden no ser los correctos.
- Los alimentos de menos de 4 onzas (110g) deben cocinarse por potencia y tiempo, no con la cocción con sensor.
- Todos los alimentos que van a cocinarse con la cocción con sensor deben estar a su temperatura de almacenamiento normal.
- Antes de usar la cocción con sensor, asegúrese de que la cavidad interior del horno esté seca.
- El horno no cocina la comida adecuadamente cuando aún está caliente. Permita que el horno se enfríe antes de seguir cocinando.
- Cubra los alimentos con una tapa o con un envoltorio plástico con ventilación. No use nunca recipientes plásticos con sellado completo, dado que pueden evitar que el vapor escape y esto provoca que los alimentos se cocinen en demasía.

INSTRUCCIONES DE OPERACIÓN CONT.

DESCONGELACIÓN AUTOMÁTICA

1. Presione la tecla DESCONGELACIÓN AUTOMÁTICA (AUTO DEFROST).
2. Ingrese al peso del alimento en onzas con la tecla numérica.
3. Presione START/+30 SEC. (COMENZAR/+30 Seg.) para comenzar a cocinar.

NOTA: El peso debe estar en onzas. Los pesos en onzas inferiores a 10 deben estar precedidos por un 0. Si la etiqueta proporciona sólo el peso en libras, cambie la fracción de una libra a onzas utilizando el cuadro que se proporciona en la siguiente página.

- Durante la descongelación, debe dar vuelta los alimentos para que se descongelen de manera uniforme. Una vez que los dé vuelta, presione START/+30 SEC. para reanudar la descongelación.
- El peso mínimo para descongelación automática es 4 onzas. El peso máximo para descongelación automática es 63 onzas.
- Luego de que haya transcurrido el tiempo total, el sistema emitirá varios pitidos con END (FINALIZACIÓN) en la pantalla.

CONVERSIÓN DE FRACCIONES DE LIBRA EN ONZAS

| FRACCIONES DE UNA LIBRA | ONZAS | FRACCIONES DE UNA LIBRA | ONZAS |
|-------------------------|-------|-------------------------|-----------------------|
| Menos de 0.03 | 0 | .54 to .59 | 9 |
| .03 to .09 | 1 | .60 to .65 | 10 |
| .10 to .15 | 2 | .66 to .71 | 11 |
| .16 to .21 | 3 | .72 to .78 | 12 |
| .22 to .27 | 4 | .79 to .84 | 13 |
| .28 to .34 | 5 | .85 to .90 | 14 |
| .35 to .40 | 6 | .91 to .97 | 15 |
| .41 to .46 | 7 | Above .97 | Pase al siguiente par |
| .47 to .53 | 8 | | |

INSTRUCCIONES DE OPERACIÓN CONT.

CONFIGURACIÓN DE UN PROGRAMA DE COCCIÓN

A. Cocción en una etapa

1. Presione las teclas numéricas para introducir el tiempo de cocción. Puede configurar un tiempo de cocción desde un segundo hasta uno de 99 minutos y 99 segundos.
2. Seleccione el nivel de potencia.
3. Seleccione el tiempo de cocción.
4. Presione START/+30 SEC. (COMENZAR/+30 Seg.) para comenzar a cocinar.

B. Cocción en varias etapas

Algunos alimentos o recetas requieren distintas etapas de cocción a temperaturas diferentes.

1. CONFIGURE LA ETAPA 1:
Siga los pasos 1 y 2 en "Cocción en una etapa". No presione START/+30 SEC.
 2. CONFIGURE LA ETAPA 2:
Presione TIME COOK 2 (TIEMPO DE COCCIÓN 2) y luego ingrese el nivel de potencia y tiempo de cocción adecuados. La mayoría de las recetas con etapas múltiples utiliza la potencia más baja para la segunda etapa.
 3. Presione START/+30 SEC. (COMENZAR/+30 Seg.) para comenzar a cocinar.
- Luego de que haya transcurrido el tiempo total, el sistema emitirá un pitido con END (FINALIZACIÓN) en la pantalla.

COMIENZO DEMORADO

Configure el horno para comenzar en una hora predeterminada con Delay Start (Comienzo demorado).

PASOS:

1. Elija un programa de cocción.
2. Presione la tecla DELAY START (COMIENZO DEMORADO).
Presione las teclas numéricas para ingresar la hora.
4. Presione el botón START/30 SEC. (COMENZAR/+30 Seg.).

NOTA: No se puede preconfigurar Cocción Rápida, Cocción con Sensor y Descongelación Automática. Para cancelar la función de comienzo demorado, presione DELAY START (COMIENZO DEMORADO) y luego presione STOP/CANCEL (DETENER/CANCELAR) en menos de 3 segundos.

TÉCNICAS PARA COCINAR

Con el microondas puede cocinar más rápido y sencillo que en la estufa convencional. Para obtener mejores resultados, aplique las siguientes técnicas:

AGITE

Mueva los alimentos guisados y vegetales mientras se cocinan, para distribuir el calor de manera uniforme. Los alimentos en los extremos del recipiente absorben más energía y se calientan más rápido, de modo que debe moverlos de afuera hacia el centro. El horno hará una pausa automáticamente cuando abra la puerta para agitar o mover los alimentos.

DISTRIBUYA

Coloque los alimentos que tienen formas irregulares, como el caso de piezas de pollo o chuletas, con los lados más gruesos y carnosos hacia la orilla de la base de vidrio giratoria, en donde recibirán más energía del microondas. Para evitar el calentamiento excesivo, coloque las áreas delicadas, como las puntas de espárragos, hacia el centro de la base de vidrio giratoria.

PROTEGA

Puede proteger algunos alimentos con tiras delgadas de papel aluminio, para evitar que se cocinen en exceso. Las áreas que necesitan protegerse incluyen las puntas de las alitas de aves, los extremos de las piernas de aves y las puntas de los platos cuadrados para hornear. Use únicamente cantidades pequeñas de papel aluminio. Las piezas grandes pueden dañar su horno. Coloque las tiras lo más lisas según lo permita el alimento, evitando que se hagan pliegues en la medida de lo posible.

VOLTEE

Debe voltear los alimentos a la mitad del tiempo de cocción para exponer todas sus partes a la energía del microondas. Esto es especialmente importante con las piezas grandes. Puede proteger las piezas que se van a asar.

DEJE REPOSAR

Los alimentos cocinados en el microondas acumulan calor internamente y siguen cocinándose por algunos minutos después de que se detiene el calentamiento. Mantenga en reposo los alimentos para completar la cocción, especialmente los alimentos como pasteles y vegetales completos. Las piezas asadas necesitan este tiempo para completar su cocción en el centro, a fin de no cocer en exceso las áreas exteriores. Todos los líquidos, como las sopas o los chocolates calientes, deben agitarse o moverse a la mitad del tiempo de su cocción y cuando ésta se haya completado. Mantenga en reposo los líquidos por un momento antes de servirlos. Cuando caliente alimentos para bebés, muévelos bien al retirarlos y pruebe la temperatura antes de servirlos.

AGREGUE AGUA

Las moléculas de agua atraen la energía de microondas. Los alimentos que no tienen un contenido uniforme de humedad deben cubrirse o dejar reposar, de modo que el calor se disperse de manera uniforme. Agregue una cantidad pequeña de agua para ayudar a la cocción de los alimentos secos.

LIMPIEZA Y CUIDADO

1. Mantenga limpio el interior del horno. Cuando salpique la comida o los líquidos derramados se adhieran a la pared del horno, limpie con un paño húmedo. Puede usar detergente suave si el horno está muy sucio. Evite el uso de limpiadores atomizados u otros limpiadores fuertes, ya que pueden manchar, rayar o deslustrar la superficie de la puerta.
2. Cuando limpie las superficies, como el marco de la puerta, use únicamente jabón suave no abrasivo o detergentes suaves aplicados con una esponja o paño suave.
3. Apague el horno y desenchufe el cable de suministro eléctrico del tomacorriente de pared, antes de la limpieza.
4. Las superficies exteriores deben limpiarse con un paño húmedo. Para evitar daños a las partes internas del horno que se accionan, no deje que se filtre agua por las aberturas de ventilación.
5. Limpie la ventana por ambos lados con un paño húmedo para retirar cualquier salpicado o derrame.
6. No permita que se moje el panel de control. Limpie con un paño húmedo y suave. Cuando limpie el panel de control, deje abierta la puerta del horno para evitar que el horno se encienda accidentalmente.
7. Si se acumula vapor dentro o alrededor de la parte exterior de la puerta del horno, limpie con un paño suave. Esto puede ocurrir cuando el horno de microondas funciona bajo condiciones de mucha humedad. Esto es normal en dichas condiciones.
8. Es posible que sea necesario retirar la base de vidrio para realizar la limpieza. Lave la base giratoria con agua tibia jabonosa o en el lavavajillas.
9. El anillo giratorio y la base del horno deben limpiarse de manera regular. La superficie del fondo del horno simplemente límpiela con un detergente suave. El anillo giratorio puede lavarse en agua jabonosa o en el lavavajillas. Cuando retire el anillo giratorio de la base del interior del horno para su limpieza, asegúrese de volverlo a colocar en la posición apropiada.
10. Para eliminar los olores de su horno mezcle una taza de agua con el jugo y la cáscara de un limón en un recipiente hondo y caliente en el microondas por cinco minutos. Limpie perfectamente y seque con un paño suave.
11. Cuando se funda la lámpara del horno, consulte a su distribuidor para su reemplazo.
12. Si el cable de suministro eléctrico se ensucia, desenchufe y limpie con un paño húmedo. Asegúrese de que seque perfectamente antes de volverlo a enchufar en el tomacorriente.
13. No deseche este electrodoméstico en la basura convencional. Debe desecharlo a través de las instalaciones de desechos adecuadas ofrecidas por el municipio.

ANTES DE LLAMAR A SERVICIO TÉCNICO

SI EL HORNO NO FUNCIONA:

- A. Revise que el horno esté enchufado de manera segura. Si no lo está, retire la clavija del tomacorriente, espere 10 segundos y enchufe de nuevo de manera segura.
- B. Revise si hay algún fusible quemado o se ha accionado el interruptor principal de carga. Si parecen funcionar adecuadamente, pruebe el tomacorriente con otro aparato.
- C. Revise para asegurarse de que el panel de control se encuentra programado correctamente y que se ha ajustado el temporizador.
- D. Revise para asegurarse de que se ha cerrado herméticamente la puerta con el sistema de bloqueo de seguridad. De lo contrario, la energía del microondas no fluirá dentro del horno.

SI NINGUNA DE LAS ACCIONES ANTERIORES RESUELVE EL PROBLEMA, PÓNGASE EN CONTACTO CON UN TÉCNICO CALIFICADO. NO INTENTE AJUSTAR O REPARAR EL HORNO USTED MISMO.

SERVICIO AL CLIENTE

IMPORTANTE

NO DEVUELVA ESTE PRODUCTO A LA TIENDA

Si tiene algún problema con este producto, comuníquese con el "Centro de satisfacción del cliente" de Haier al 1-877-337-3639.

ES NECESARIO TENER EL COMPROBANTE DE COMPRA FECHADO, EL NÚMERO DE MODELO Y DE SERIE PARA RECIBIR EL SERVICIO DE GARANTÍA.



SOLUCIÓN DE PROBLEMAS

Consulte el problema que tiene en la siguiente tabla y pruebe las soluciones para cada uno de ellos. Si el horno de microondas sigue sin funcionar correctamente, comuníquese al centro de servicio al cliente de Haier o al centro de servicio autorizado más cercano. Los clientes nunca deben intentar solucionar los problemas en los componentes internos. Los hornos de microondas tienen voltajes peligrosos (5,000 voltios) incluso cuando se haya cortado el suministro eléctrico. Únicamente un técnico certificado debe intentar reparar el microondas.

| PROBLEMA | POSIBLE CAUSA | SOLUCIÓN POSIBLE |
|--|---|---|
| El horno no enciende. | A. El cable de suministro eléctrico del horno no está enchufado. B. La puerta está abierta. C. Está establecido un modo de funcionamiento incorrecto. | A. Enchúfelo en el tomacorriente. B. Cierre la puerta e intente de nuevo. C. Consulte las instrucciones. |
| Arcos de voltaje o chispas. | A. Se utilizaron materiales que no deben usarse en el horno de microondas, como metal. B. El horno se hizo funcionar vacío. C. Hay restos de alimentos derramados en la cavidad. | A. Emplee sólo artículos de cocina aptos para microondas. B. No ponga en funcionamiento el horno cuando esté vacío. C. Limpie el interior del horno con una toalla húmeda. |
| Los alimentos no se cuecen de modo uniforme. | A. Se utilizaron materiales que no deben usarse en el horno de microondas. B. El alimento no está descongelado por completo. C. El tiempo de cocción y/o la potencia no son adecuados. D. El alimento no se ha volteado ni agitado. | A. Emplee sólo artículos de cocina aptos para microondas. B. Descongele el alimento por completo. C. Emplee el tiempo de cocción y/o la potencia correctos. D. Voltee o agite el alimento. |
| Overcooked foods | El tiempo de cocción y la potencia no son adecuados. Emplee el tiempo de cocción y/o la potencia correctos. | Emplee el tiempo de cocción y la potencia correctos. |
| Alimentos que no se cuecen lo suficiente. | A. Se utilizaron materiales que no deben usarse en el horno de microondas. B. El alimento no está descongelado por completo. C. Los orificios de ventilación del horno están obstruidos. D. El tiempo de cocción y/o la potencia no son adecuados. | A. Emplee sólo artículos de cocina aptos para microondas. B. Descongele el alimento por completo. C. Compruebe que los orificios de ventilación del horno no estén obstruidos. D. Emplee el tiempo de cocción y la potencia correctos. |
| No descongela correctamente. | A. Se utilizaron materiales que no deben usarse en el horno de microondas. B. El tiempo de cocción y/o la potencia no son adecuados. C. El alimento no se ha volteado ni agitado. | A. Emplee sólo artículos de cocina aptos para microondas. B. Emplee el tiempo de cocción y la potencia correctos. C. Voltee o agite el alimento. |

GARANTÍA LIMITADA

¿Qué cubre y por cuánto tiempo?

Esta garantía cubre todos los defectos de fabricación o de materiales durante un período de: 12 meses en mano de obra

Período de 12 meses para partes (únicamente las piezas funcionales), dos años para el tubo magnetrón del microondas (únicamente esa pieza).

La garantía entra en vigor en la fecha de compra del artículo. El cliente debe presentar a Haier el comprobante de compra y la factura original fechadas, la marca, el modelo y el número de serie para su verificación, antes de realizar cualquier servicio de garantía. Haier America puede ofrecer el servicio en el taller para productos seleccionados, si así lo decide.

EXCEPCIONES:

Garantía del producto para uso comercial o de renta.

90 días para mano de obra y 90 días para partes. No se aplica ninguna otra garantía.

¿Qué cubre?

1. Las partes mecánicas y eléctricas del aparato cuyo objetivo es poner en funcionamiento este aparato tienen cobertura por un período de 12 meses o lo indicado más arriba. Esto incluye todas las partes, excepto la terminación, el acabado y el vidrio.

2. La garantía limitada no cubre ningún crédito o reembolso por ninguna pérdida o lesión provocada por el producto o por defectos del producto, que incluyen entre otros, daños incidentales o derivados.

3. En el caso de falla del tubo magnetrón (para las microondas) debido a defectos en materiales o mano de obra, dicha parte será reemplazada.

¿Qué se hará?

1. Haier reparará o reemplazará, a su criterio, cualquier parte mecánica o eléctrica que resulte estar defectuosa por uso normal durante el período de garantía especificado.

TODO EL SERVICIO DE GARANTÍA DEBERÁ SER PRESTADO ÚNICAMENTE POR NUESTROS CENTROS DE SERVICIO DE FÁBRICA O POR UN TÉCNICO AUTORIZADO DE SERVICIO AL CLIENTE DE HAIER.

Si se determina que no corresponde hacer una reparación o que las partes de repuesto no están disponibles para hacerla, Haier le

cambiará el producto por uno arreglado o uno nuevo igual o similar al original, según lo que determine.

2. No se le cobrará al comprador las partes de repuesto funcionales y la mano de obra de ningún artículo cubierto durante el período inicial de 12 meses o según se indique arriba.
3. **ESTA GARANTÍA CUBRE APARATOS DENTRO DE ESTADOS UNIDOS CONTINENTAL, PUERTO RICO Y CANADÁ. NO CUBRE LO SIGUIENTE:**

Daños por instalación inadecuada. Daños producidos durante el envío. Defectos distintos a los de fabricación. Daño por uso incorrecto, maltrato, accidente, alteración, falta de cuidado y mantenimiento adecuados, corrientes o voltajes incorrectos, o desastres naturales. Daño por uso distinto al doméstico. Daño por un servicio brindado por alguien distinto a un distribuidor o centro de servicio autorizado. Acabados decorativos, vidrios o bombillas reemplazables. Costos de transporte y envío. Mano de obra (después de los primeros 12 meses). Crédito o reembolso de productos 30 días después de la fecha de compra. Pérdida en alimentos por productos echados a perder debido al resultado directo de una falla mecánica del producto o cualquier demora en ofrecer el servicio, la reparación o el cambio. Esta garantía limitada no se aplicará en productos reconstruidos o en unidades compradas como saldos o de segunda mano. **ESTA GARANTÍA LIMITADA SE OTORGA EN LUGAR DE CUALQUIER OTRA GARANTÍA EXPRESA O INCLUSO LAS GARANTÍAS DE COMERCIALIZACIÓN E IDONEIDAD PARA UN FIN EN PARTICULAR.** La solución ofrecida en esta garantía es exclusiva y se otorga en lugar de cualquier otra solución. Esta garantía no cubre daños incidentales o indirectos, de modo que es posible que las limitaciones anteriores no apliquen en su caso. Algunos estados no permiten limitaciones sobre la duración de una garantía implícita, de modo que es posible que las limitaciones anteriores no apliquen en su caso. Esta garantía le otorga derechos legales específicos; usted puede tener otros derechos, que varían en cada estado.

Haier America
New York, NY 10018

www.HaierAmerica.com

Model # HMC1640BEWW,
HMC1640BEBB
Issued Date: April 2012

120 V, 60 Hz
Made in China
Hecho en China

Printed in China
Haier America
New York, NY 10018
©2012 Haier America Trading, LLC.